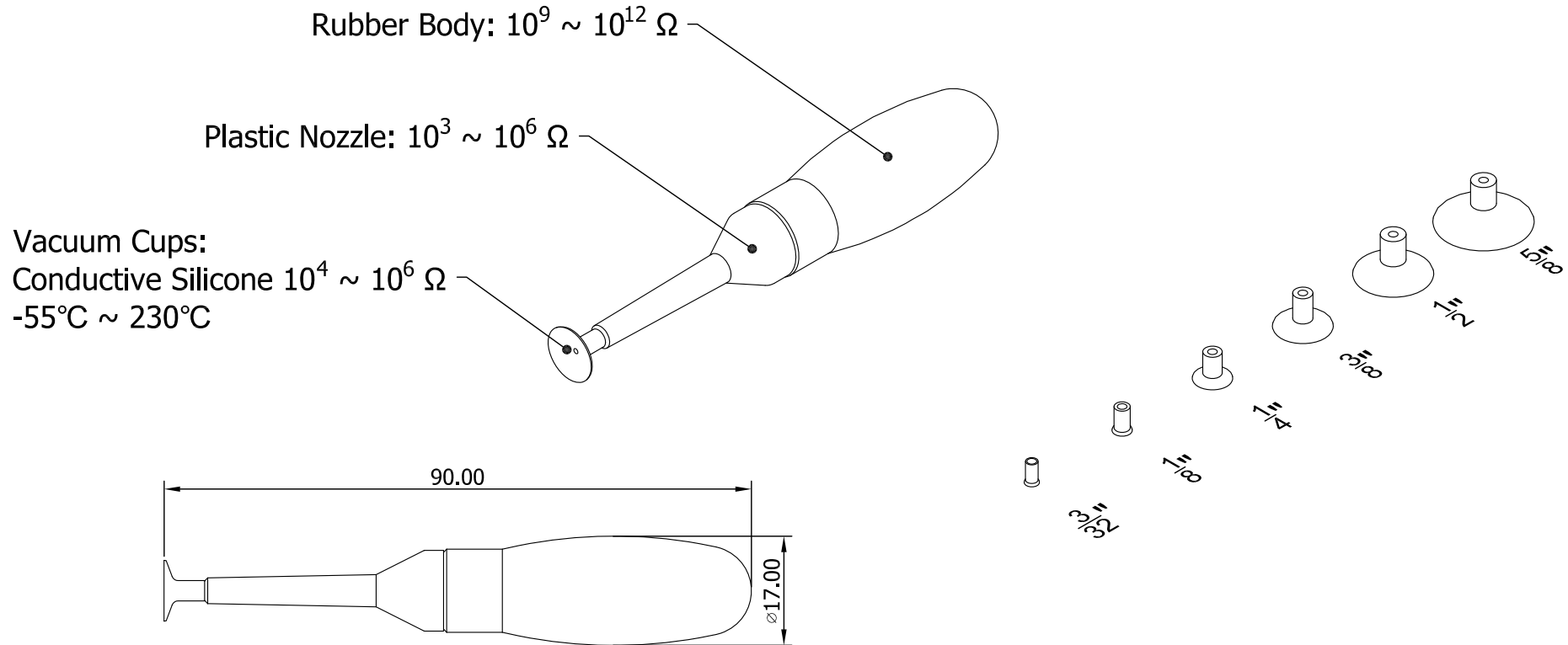


HV-C Kit Specification

All resistance measurements have been verified with VECTECH499 resistivity meter.



Note: The maximum resistance of body to tip is determined by the highest resistance item of the HV-C KIT.

*Patent Pending

		晶王股份有限公司 Crystal King Co., Ltd.			
		TITLE	HV-C KIT Specification		REV.
SCALE	1:1	UNIT	mm	SHEET	1 of 1